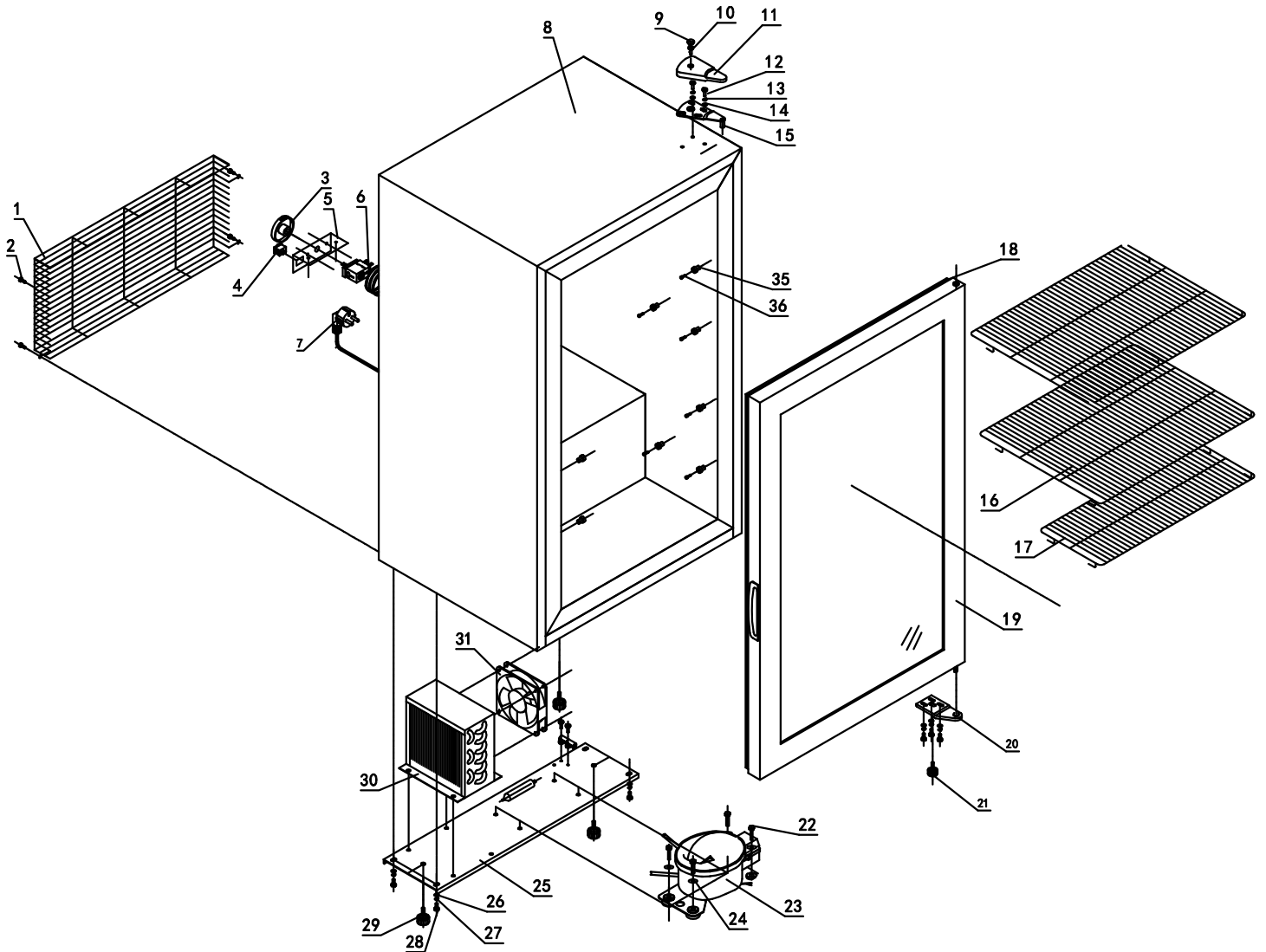


Parts Breakdown

Model **FR-CN-0098NB** 47239



Parts Breakdown

Model FR-CN-0098NB 47239

Item No.	Description	Position	Item No.	Description	Position	Item No.	Description	Position
AD668	Mesh Enclosure for 47239	1	AC799	M5 Nut for 47239	12	AH278	Compressor NUG60LR for 47239	23
AC789	Screw for 47239	2	AC800	Gasket for 47239	13	AC811	M6 Nut for 47239	24
AC790	Temperature Control Knob for 47239	3	AC801	Lock Washers for 47239	14	AC812	Floor Presser for 47239	25
AC791	Lamp Switch for 47239	4	AC802	Top Hinge for 47239	15	AC813	M6 Nut for 47239	26
AC792	Temperature Controller Holder for 47239	5	AC803	Big Shelf for 47239	16	AC814	Lock Washers for 47239	27
AC793	Temperature Controller for 47239	6	AC804	Small Shelf for 47239	17	AC815	N6 Nut for 47239	28
AC794	Power Line for 47239	7	AC805	Door Gasket for 47239	18	AC816	Base Angle for 47239	29
AC795	Body for 47239	8	AC806	Glass Door for 47239	19	AC817	Condenser for 47239	30
AC796	Top Hinge Box Buckle for 47239	9	AC807	Hinge for 47239	20	AC818	Draught Fan for 47239	31
AC797	M4 Nut for 47239	10	AC808	Base Angle for 47239	21			
AC798	Top Hinge Box for 47239	11	AC809	M6 Nut for 47239	22			